

CATCH the **CARRIER ETHERNET WAVE**

SUPERDEMO 2005

***First Demonstration
of
Carrier Ethernet Services***

A METRO ETHERNET FORUM WHITE PAPER

June 2005

SUPERCOMM 2005 in Chicago, IL

Hall A, booth 48085

Tuesday June 7th to Thursday June 9th

SUPERDEMO 2005 Showcases the World's First Demonstration of Carrier Ethernet Services

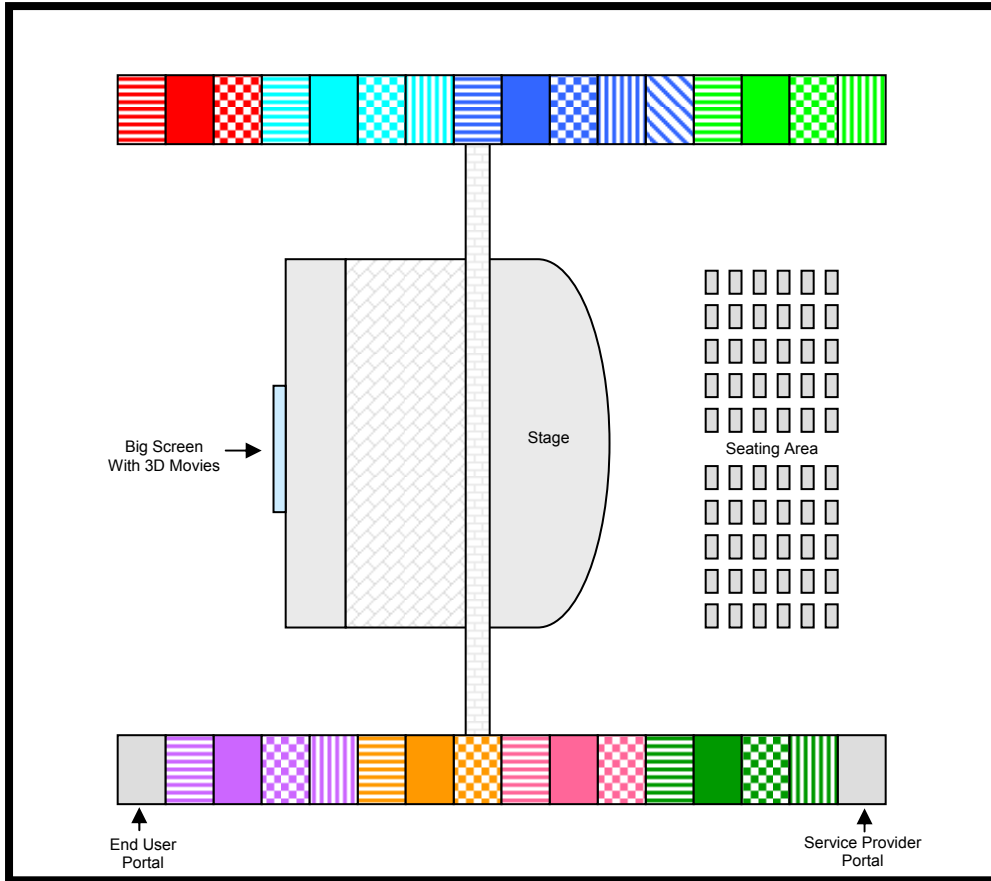
In its largest interoperability demonstration ever the Metro Ethernet Forum at SuperComm 2005 is showcasing an unprecedented range of Ethernet Services supporting Triple Play applications aimed at the exploding residential and corporate markets. Service Providers as well as corporate and residential subscribers will see Ethernet Services delivering an innovative series of bundled voice, data and video applications on an interoperable platform combining equipment from thirty MEF member companies. Service quality will be verified throughout the network and application layers further proving that Carrier Ethernet is the most attractive alternative to legacy transport technologies.

The MEF SuperDemo 2005 puts all eleven Metro Ethernet Forum Technical Specifications to work focusing on a broad spectrum of Triple Play applications organized into eight *Applications and Technology Areas* fully leveraging the power of Carrier Ethernet.

The eight *Applications and Technology Areas* are:

- ***Guaranteed Rate Internet Access***
- ***Circuit Emulation***
- ***Service Aware Infrastructure***
- ***Connectivity Between Businesses***
- ***IP-TV***
- ***Multi-Gigabit Internet Access***
- ***Voice Over IP***
- ***Broadband Services Convergence***

SUPERDEMO 2005 – Participating Member Companies



- | | | | | | | | | |
|--|------------|-----------------------------------|--|--------------|-----------------------------------|--|---------|----------------------------------|
| | Iometrix | } Guaranteed Rate Internet Access | | Adva Optical | } Connectivity Between Businesses | | Nortel | } Voice over IP |
| | Actelis | | | Omnitron | | | Telco | |
| | T-Pack | | | Metrobility | | | Agilent | |
| | Axerra | } Circuit Emulation | | Hatteras | } IP-TV | | Atrica | } Broadband Services Convergence |
| | RAD | | | Extreme | | | Fujitsu | |
| | Resolute | | | Alcatel | | | Shenick | |
| | Transwitch | } Service Aware Infrastructure | | Spirent | } Multi-Gigabit Internet Access | | Covaro | |
| | Corrigent | | | Luminous | | | Sunrise | |
| | Riverstone | | | W.W.Packets | | | | |
| | Tellabs | | | | | | | |
| | Cisco | | | | | | | |
| | Ixia | | | | | | | |

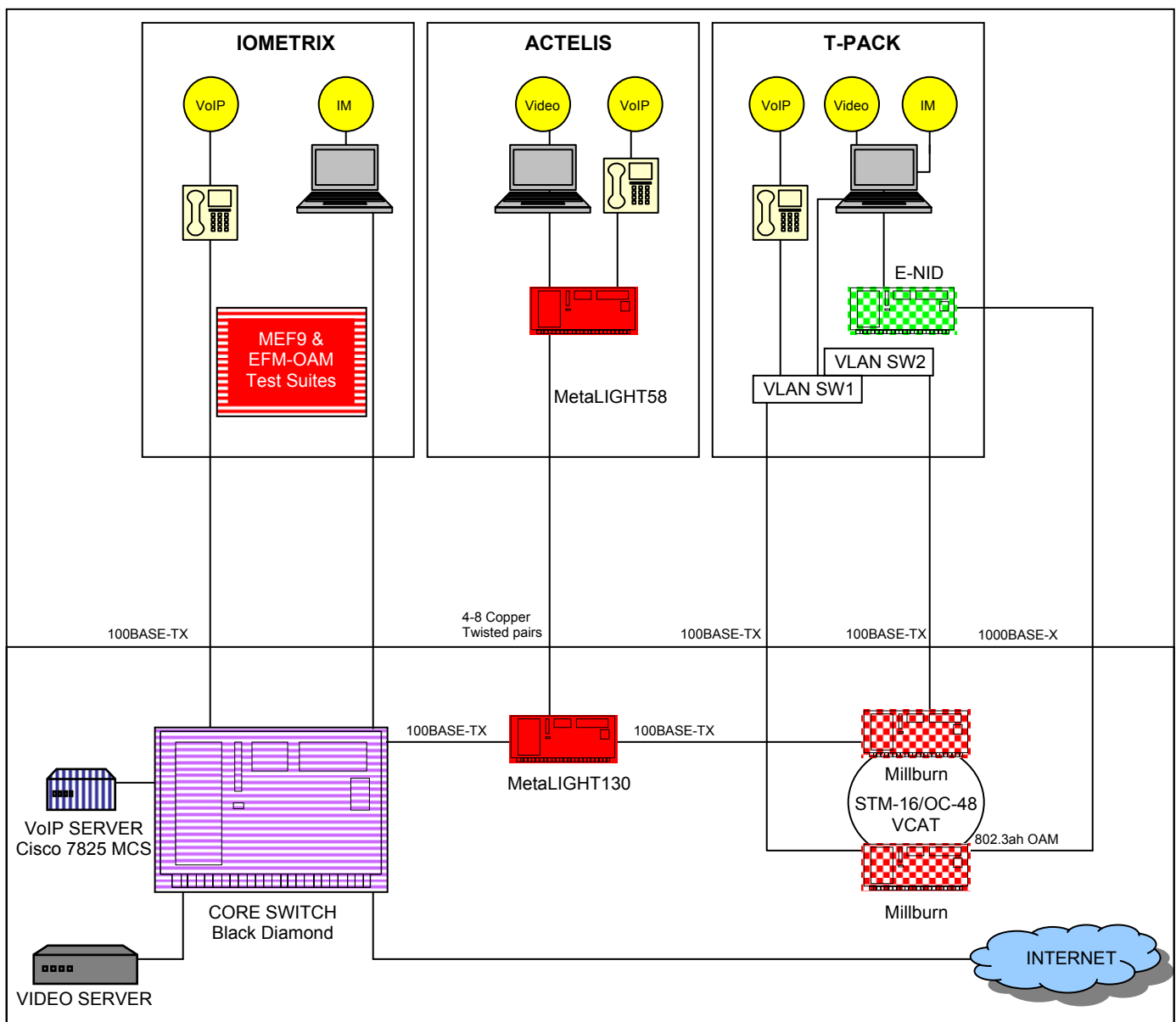
Interoperable Implementations of the 11 MEF Specifications

Each *Application and Technology Area* shows interoperable implementations of the eleven Metro Ethernet Forum technical specifications:

- MEF 1: Ethernet Services Model, Phase 1
- MEF 2: Requirements and Framework for Ethernet Service Protection in Metro Ethernet Networks
- MEF 3: Circuit Emulation Service Definitions, Framework and Requirements in Metro Ethernet Networks
- MEF 4: Metro Ethernet Network Architecture Framework - Part 1: Generic Framework
- MEF 5: Traffic Management Specification: Phase 1
- MEF 6: Ethernet Services Definitions - Phase 1
- MEF 7: EMS-NMS Information Model
- MEF 8: Implementation Agreement for the Emulation of PDH Circuits over Metro Ethernet Networks
- MEF 9: Abstract Test suite for Ethernet Services at the UNI
- MEF 10: Ethernet Services Attributes Phase 1
- MEF 11: User Network Interface (UNI) Requirements and Framework

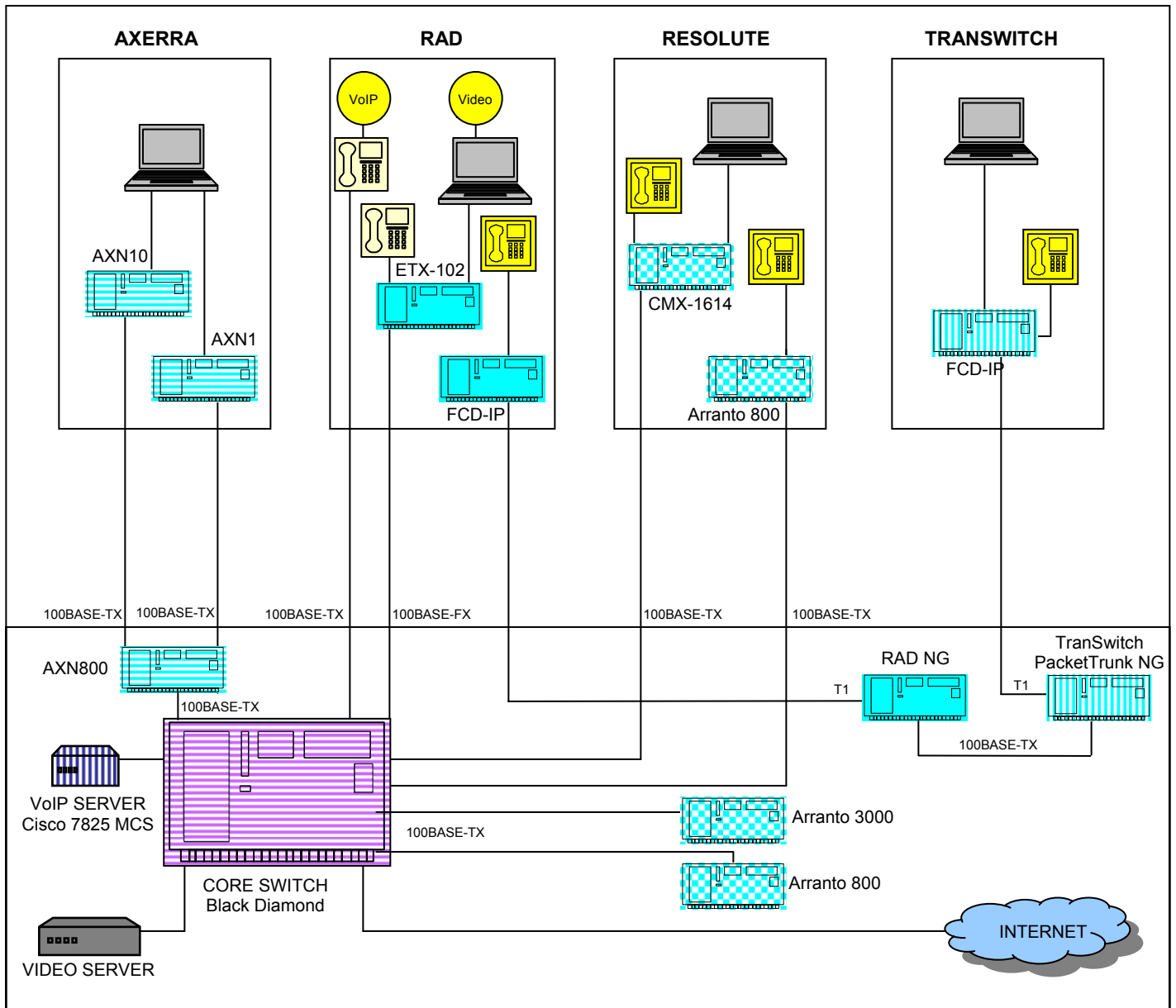
Guaranteed Rate Internet Access

The *Guaranteed Rate Internet Access* Application and Technology Area demonstrates broadband Internet access services with verifiable SLA's, which are a mainstay of a Carrier's Ethernet Service offering. The network built from **Iometrix**, **Actelis** and **T-Pack** equipment demonstrates guaranteed rate access and documents the service levels using methodologies derived from the MEF certification program.



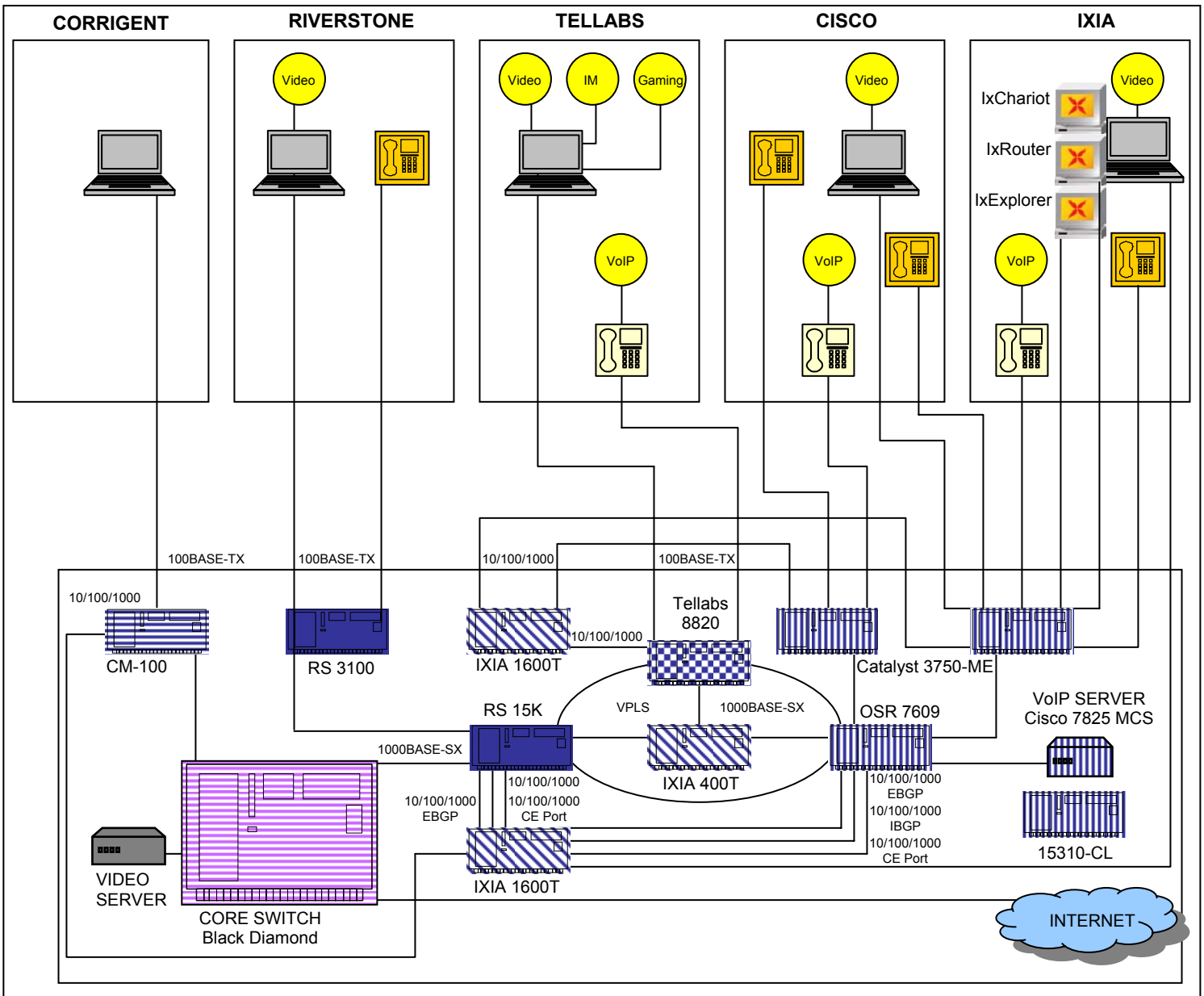
Circuit Emulation

The *Circuit Emulation Application and Technology Area* demonstrates that providing a smooth migration for circuit-based applications and services is fundamental to the success of Carrier Ethernet. The network built from **AXerra**, **RAD**, **Resolute**, and **Transwitch** equipment showcases their capabilities to support circuit-based services over Carrier Ethernet.



Service Aware Infrastructure

The *Service Aware Infrastructure* Application and Technology Area demonstrates that Carrier Ethernet gives service providers an intelligent network infrastructure capable of adapting to the specific requirements of the services present within it. The network built from **Corrigent**, **Riverstone**, **Tellabs**, **Cisco**, and **Ixia** equipment demonstrates a service aware infrastructure capable of delivering triple play services over a converged infrastructure.



CORRIGENT



RIVERSTONE



TELLABS



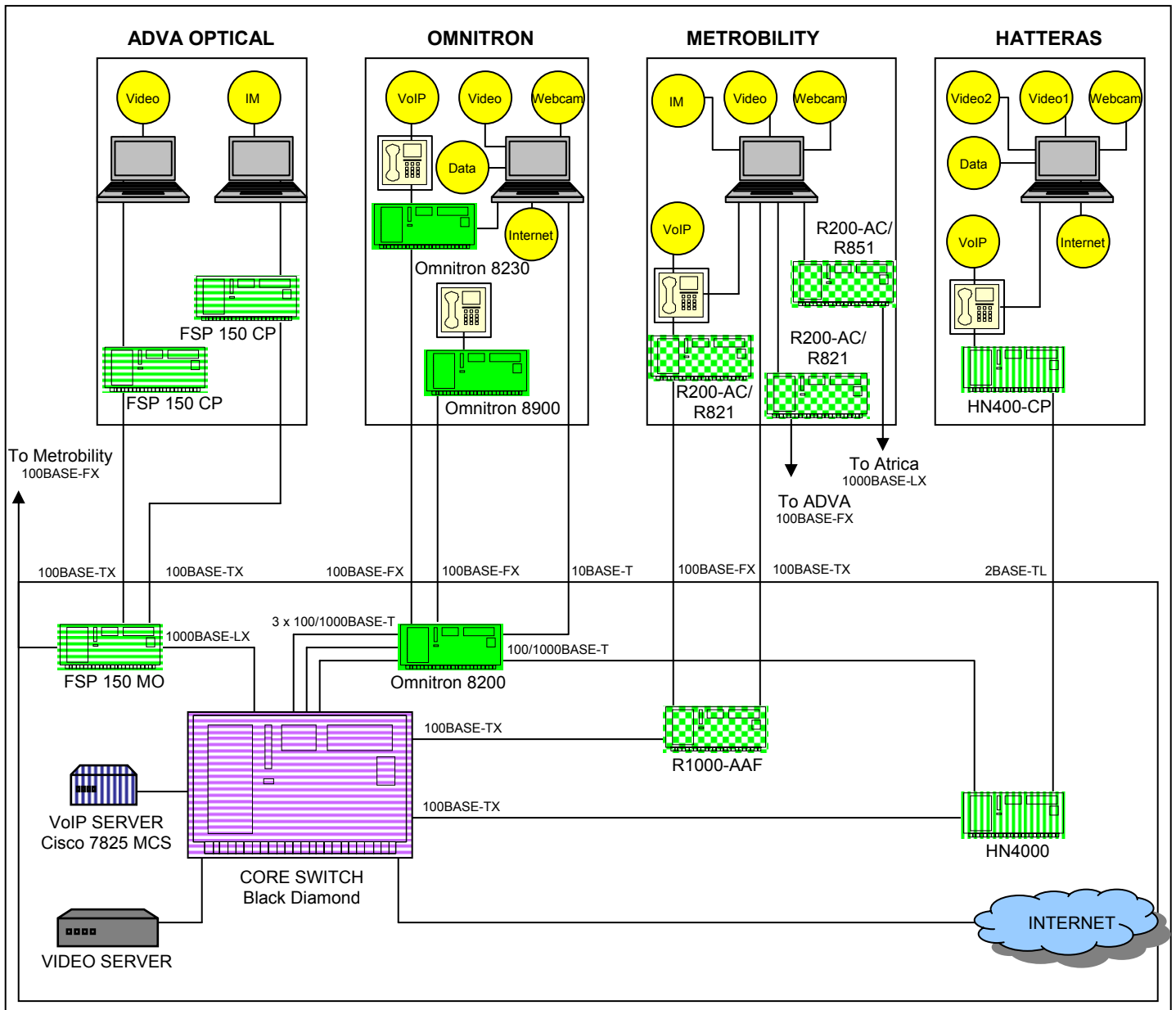
CISCO



IXIA

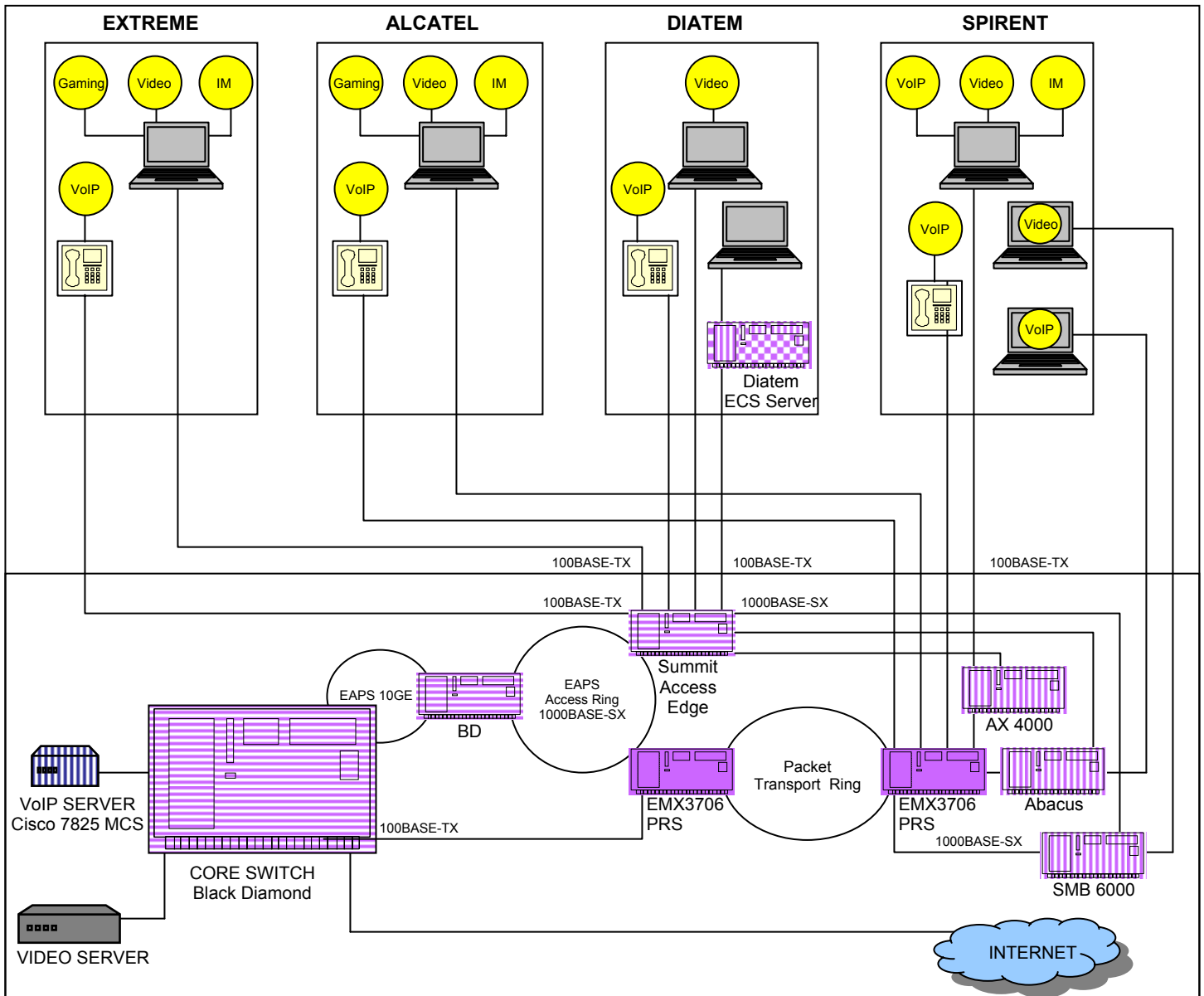
Connectivity Between Businesses

The *Connectivity Between Businesses* Application and Technology Area demonstrates that Ethernet access technology is the perfect complement to the Carrier Ethernet metro core. The network built from **Adva**, **Omnitron**, **Metrobility** and **Hatteras Networks** equipment showcases a variety of innovative solutions and technologies for extending the Carrier Ethernet network into the access network.



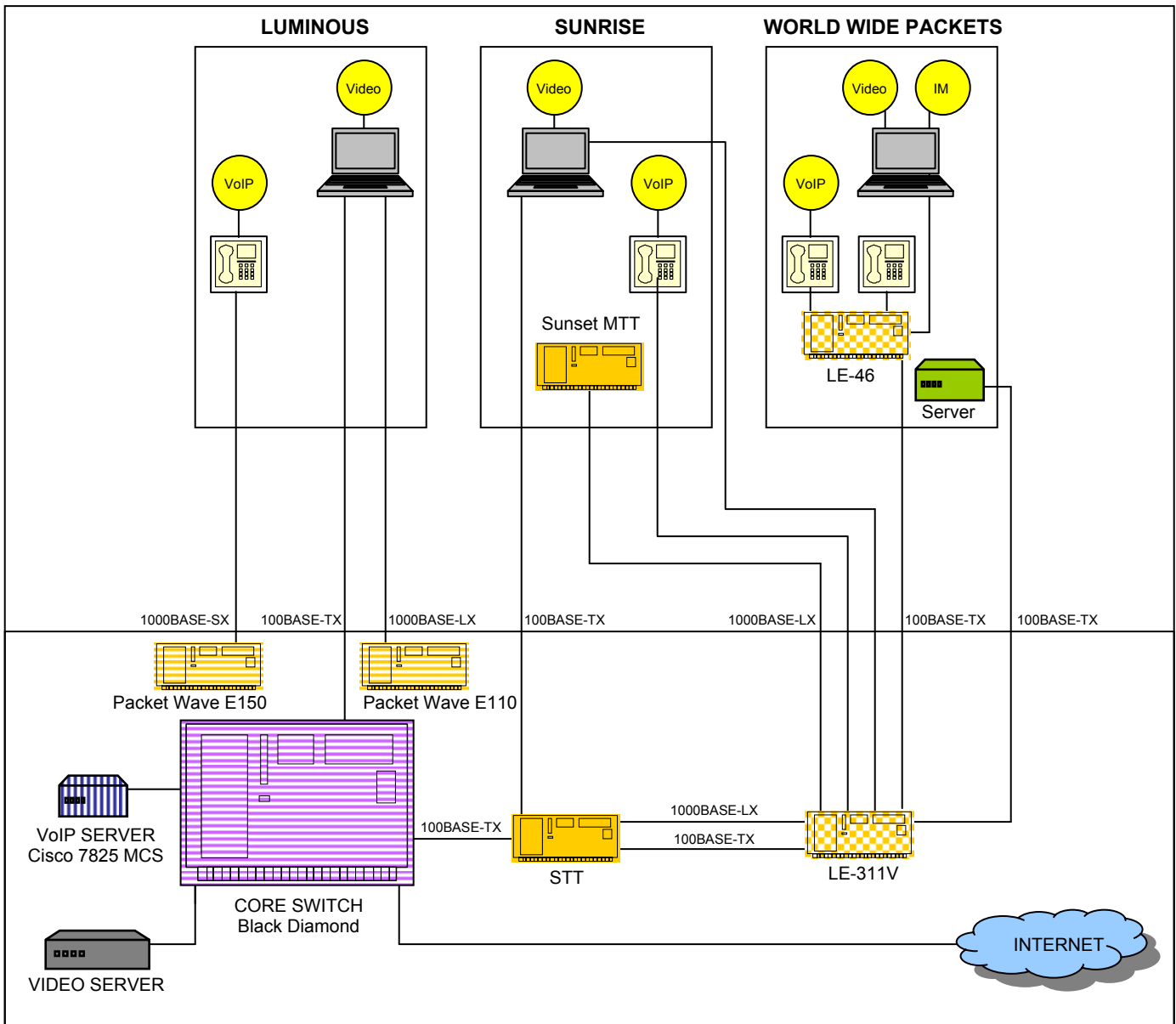
IP-TV

The *IP-TV* Application and Technology Area demonstrates the high availability capabilities of Carrier Ethernet networks that are necessary in order to successfully deliver video services such as IP-TV. Offering the triple play services of voice, video and data is proven to maximize revenue and increase subscriber retention. **Extreme Networks, Diatem, Alcatel** and **Spirent** present innovative solutions for providing carrier-class resiliency for Ethernet networks.



Multi-Gigabit Internet Access

The *Multi-Gigabit Internet Access* Application and Technology Area demonstrates that ultra-high performance broadband Internet Access is possible due to Carrier Ethernet's high performance capabilities. The network built from **Luminous**, **Sunrise** and **World-wide Packets** equipment shows off their high performance Gigabit access solutions.



LUMINOUS



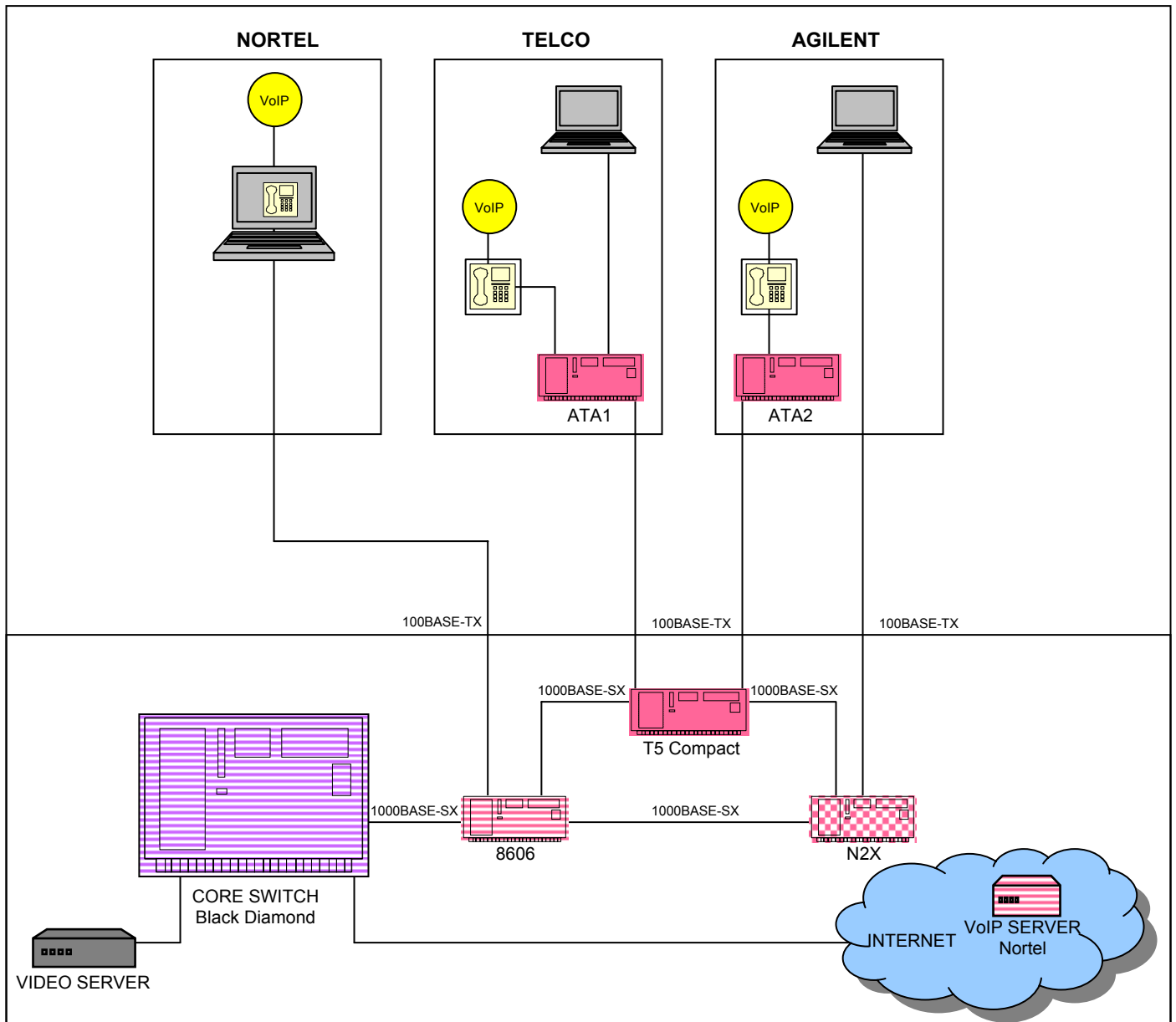
SUNRISE



WORLD WIDE PACKETS

Voice Over IP

The *Voice Over IP* Application and Technology Area demonstrates that one of the most popular applications for Carrier Ethernet is to offer Voice over IP for both business and residential subscribers. The network build from **Nortel**, **Telco Systems and Agilent** equipment lays out their solutions for next generation voice services over Ethernet-based provider networks.



Broadband Services Convergence

The *Broadband Services Convergence* Application and Technology Area demonstrates that Carrier Ethernet offers the promise of an infrastructure capable of supporting the requirements of converged broadband services. The network built from **Atrica**, **Fujitsu**, **Shenick** and **Cavaro** equipment demonstrates broadband converged services over a Carrier Ethernet infrastructure.

